

Inductive Sensor

with Standard Switching Distances

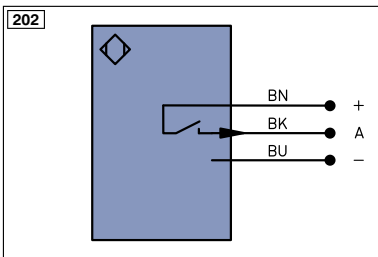
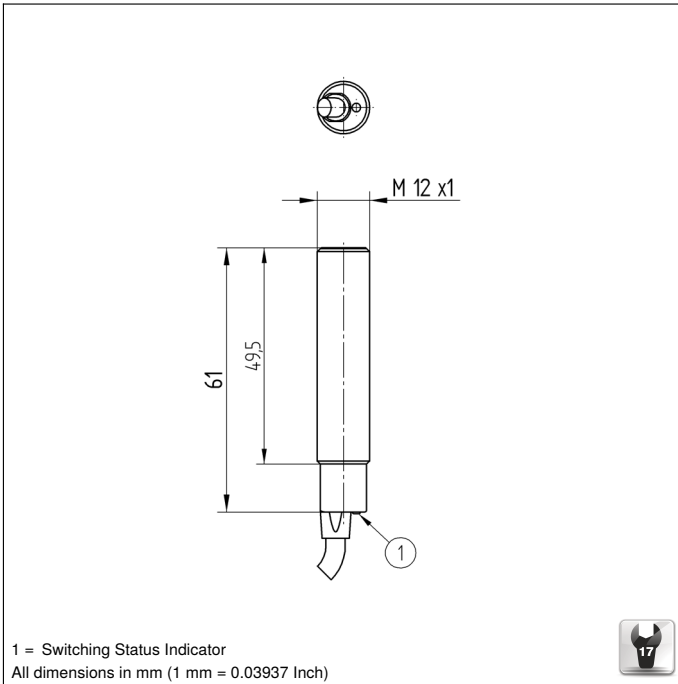
IB040BM61VB

Part Number



Technical Data

Inductive Data	
Switching Distance	4 mm
Correction Factors V2A/CuZn/Al	0,77/0,50/0,48
Mounting	flush
Mounting A/B/C/D in mm	0/12/12/0
Switching Hysteresis	< 15 %
Electrical Data	
Supply Voltage	10...30 V DC
Current Consumption (U _b = 24 V)	< 6 mA
Switching Frequency	700 Hz
Temperature Drift	< 10 %
Temperature Range	-25...80 °C
Switching Output Voltage Drop	< 2,5 V
Switching Output/Switching Current	200 mA
Residual Current Switching Output	< 100 µA
Short Circuit Protection	yes
Reverse Polarity and Overload Protection	yes
Protection Class	III
Mechanical Data	
Housing Material	CuZn, nickel-plated
Full Encapsulation	yes
Degree of Protection	IP67
Connection	Prewired
Cable Length	2 m
PNP NO	●
Connection Diagram No.	202
Suitable Mounting Technology No.	170 171



Legend					
+	Supply Voltage +	PT	Platinum measuring resistor	ENa	Encoder A
-	Supply Voltage 0 V	nc	not connected	ENb	Encoder B
~	Supply Voltage (AC Voltage)	U	Test Input	AMn	Digital output MIN
A	Switching Output (NO)	U	Test Input inverted	AMax	Digital output MAX
Ā	Switching Output (NC)	W	Trigger Input	Aok	Digital output OK
V	Contamination/Error Output (NO)	O	Analog Output	SY In	Synchronization In
ȳ	Contamination/Error Output (NC)	O-	Ground for the Analog Output	SY OUT	Synchronization OUT
E	Input (analog or digital)	BZ	Block Discharge	Out	Brightness output
T	Teach Input	AWV	Valve Output		
Z	Time Delay (activation)	a	Valve Control Output +		Wire Colors according to DIN IEC 757
S	Shielding	b	Valve Control Output 0 V	BK	Black
RxD	Interface Receive Path	SY	Synchronization	BN	Brown
TxD	Interface Send Path	E+	Receiver-Line	RD	Red
RDY	Ready	S+	Emitter-Line	OG	Orange
GND	Ground	±	Grounding	YE	Yellow
CL	Clock	SrR	Switching Distance Reduction	GN	Green
E/A	Output/Input programmable	Rx+/-	Ethernet Receive Path	BU	Blue
	IO-Link	Tx+/-	Ethernet Send Path	VT	Violet
PoE	Power over Ethernet	Ex	Interfaces-Bus A(+)/B(-)	GY	Grey
IN	Safety Input	La	Emitted Light disengageable	WH	White
OSSD	Safety Output	Mag	Magnet activation	PK	Pink
Signal	Signal Output	RES	Input confirmation	GNYE	Green Yellow
M	Maintenance	EDM	Contactur Monitoring		

Mounting

