

Safety Switch RFID

SD4RAA01

Part Number



- Easy to clean
- High level of manipulation protection thanks to RFID coding
- Protection mode IP69K
- Universal fastening opportunities

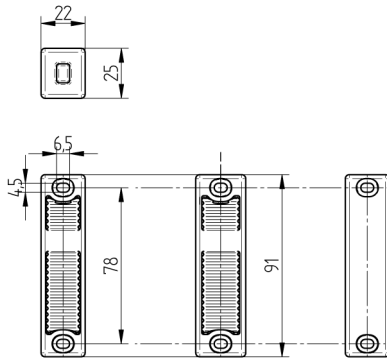
Separating safety devices can be easily protected up to cat. 4 PL e using these contactless safety switches, even during series connection. Response and risk times remain unchanged at all times. Extensive diagnosis functions boost system availability and make installation and maintenance easier. The locking version can be used as a stop and does not secure any small doors or flaps.

Technical Data

Electrical Data	
Sensor Type	Actuator
Temperature Range	-25...70 °C
Storage temperature	-25...85 °C
Mechanical Data	
Housing Material	Plastic
Degree of Protection	IP67/IP69K
Safety-relevant Data	
Operating principle	RFID
Applicable switch	SD4RAS01IN89
	SD4RAS01SN89
	SD4RAS01TN89

Complementary Products

Gasket Set Z0047
Sistema Library software DNNF007



All dimensions in mm (1 mm = 0.03937 Inch)

